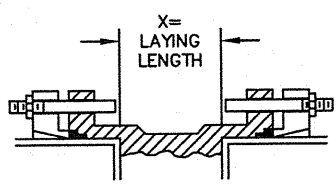
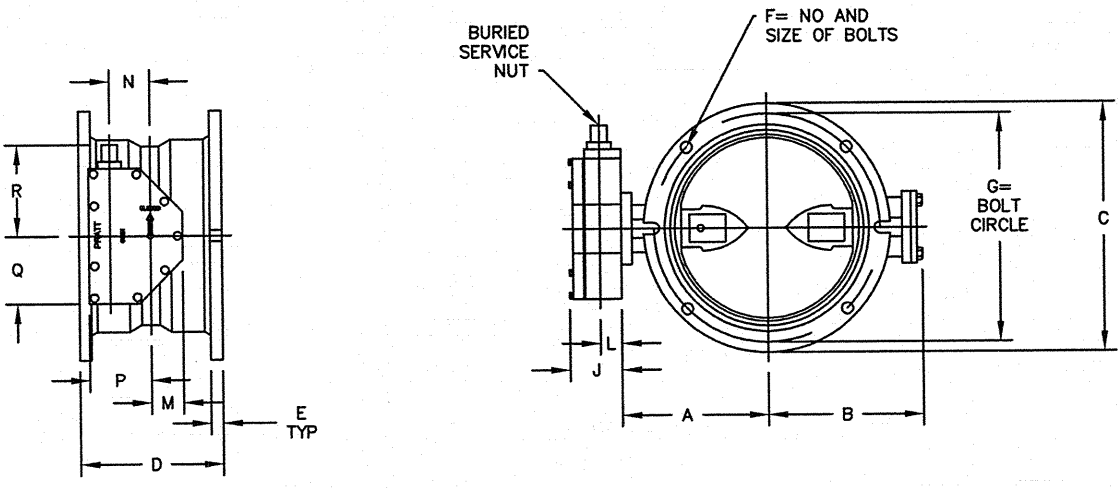


ACTUATOR SIZE	J	L	M	N	P	Q	R	NUMBER OF TURNS
MDT-2S	4-11/16	2	2-1/8	2	4-1/2	4-1/4	8-1/4	32
MDT-3S	5-5/8	2-7/16	3-1/4	3-5/32	5-5/8	5-3/8	10-3/8	30
MDT-4S	6-3/8	2-27/32	3-3/8	4	7-5/16	6-3/4	11-5/16	40
MDT-5	7-9/16	3-15/32	4-1/2	5-1/2	8-3/4	10-7/16	17	44



INSTALLATION DIAGRAM
BOLTS, NUTS, GLANDS
AND GASKETS FURNISHED
BY OTHERS

VALVE SIZE	A	B	C	D	E	F	G	X
4	5-1/2	3-1/2	9	8-1/8	1	4--3/4	7 1/2	3-1/8
6	6-1/2	5-1/8	11	8-1/2	1-1/16	6--3/4	9 1/2	3-1/2
8	7-3/4	6-1/2	13-1/4	8-5/8	1-1/8	6--3/4	11 3/4	3-5/8
10	9	9-3/4	15-9/16	10	1-3/16	8--3/4	14	4-1/4
12	10-1/2	11-3/8	17-15/16	10-1/2	1-1/4	8--3/4	16-1/4	4 1/4
14	11-7/8	12-3/4	20-5/16	11-1/2	1-5/16	10--3/4	18 3/4	4-1/2
16	13-1/2	14-1/2	22-9/16	12	1-3/8	12--3/4	21	5
18	14-3/8	15-3/8	24-11/16	12-1/4	1-3/8	12--3/4	23-1/4	5-1/4
20	16	17	27-3/32	12-1/2	1-1/2	14--3/4	25-1/2	5-1/2



ACTUATOR POSITION 01

NOTES:

- ALL DIMENSIONS SHOWN IN INCHES. "D" DIMENSION $\pm 1/16"$ FOR 3" THRU 10" VALVES. "D" DIMENSION $\pm 1/8"$ FOR 12" THRU 20" VALVES.
- DIMENSIONS AND DRILLING OF END FLANGES CONFORM TO THE ANSI/AWWA C111/A21.11
- (RECOMMENDATIONS FOR MATING FLANGES) WHERE INSULATING BUSHINGS ARE USED, IT IS NECESSARY THAT BOLT HOLES BE DRILLED OVERSIZE BY AN AMOUNT EQUAL TO TWO TIMES THE INSULATING SLEEVE THICKNESS TO MAINTAIN THE SAME MINIMUM CLEARANCE FOR BOLTS.
- VALVES MANUFACTURED AND TESTED IN ACCORDANCE WITH AWWA SPECIFICATIONS C-504-LATEST REVISION, CLASS 150B.
- SEE DRAWING GA-11486 FOR VALVE CROSS SECTION.



REV	DATE	BY	DESCRIPTION	APP
11-21-11		CEM	CORRECTED DIMS	
3-11-09		JLM	CHANGED NOTE 2	JR
1-18-06		CEG	GA-11486 was S-2014	JR

PRATT HENRY PRATT COMPANY
AURORA, ILL.

2M2 VALVE MECHANICAL JOINT ENDS
MDT BURIED SERVICE ACTUATOR

SCALE NONE DATE 5/12/04
DRAWN BY DSL CHECKED BY ES
APPROVED GA-BORDER
DRWG. NO. GA-10705 REV 3