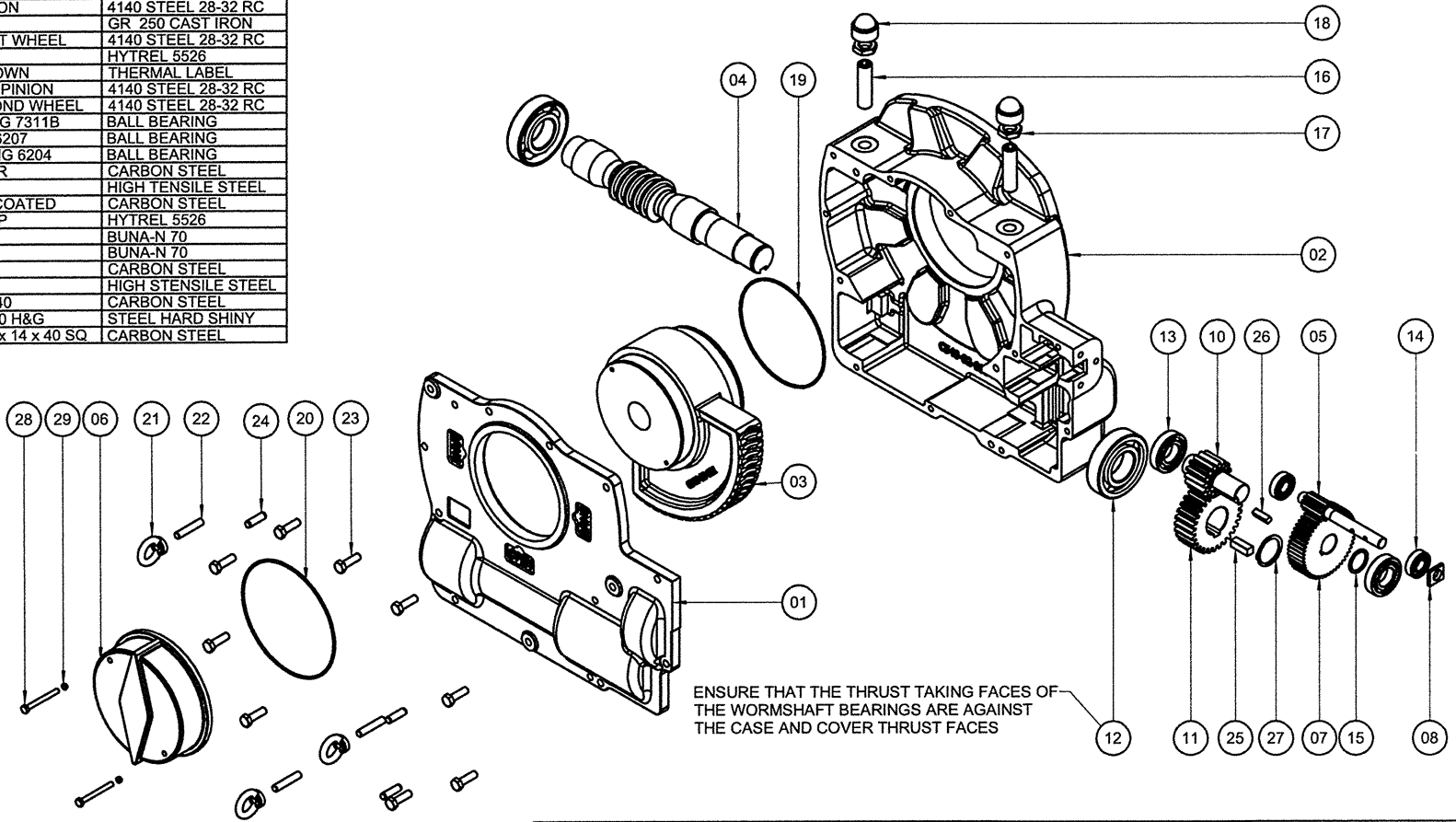


Parts List			Parts List						
ITEM	QTY	PART NUMBER	DESCRIPTION	MATERIAL	ITEM	QTY	PART NUMBER	DESCRIPTION	MATERIAL
01	1	C540-01-100	COVER	GR 250 CAST IRON	26	1	0601-0000-501	FIRST WHEEL KEY	CARBON STEEL
02	1	C540-02-100	GEARCASE	GR 250 CAST IRON	27	1	0701-0300-036	2nd WHEEL CIRCLIP	CARBON SPRING STEEL
03	1	C540-03-100	QUADRANT	80-55-06 DUCTILE IRON	28	2	0003-0004-290	INDICATOR SCREW M8x75	CARBON STEEL
04	1	C540-04-100	WORMSHAFT	4140 STEEL 28-32 RC	29	2	0521-0000-008	NYLTITE SEAL FOR M8	NYLTITE
05	1	C520-05-300	11 TOOTH INPUT PINION	4140 STEEL 28-32 RC					
06	1	C540-06-100	INDICATOR CAP	GR 250 CAST IRON					
07	1	C530-17-500	50 TOOTH SPUR FIRST WHEEL	4140 STEEL 28-32 RC					
08	1	C503-02-101	INPUT OIL SEAL	HYTREL 5526					
09	1		NAMEPLATE NOT SHOWN	THERMAL LABEL					
10	1	C540-17-103	LAYSHAFT-15 TOOTH PINION	4140 STEEL 28-32 RC					
11	1	C540-17-101	29TOOTH SPUR SECOND WHEEL	4140 STEEL 28-32 RC					
12	2	0416-0201-011	WORMSHAFT BEARING 7311B	BALL BEARING					
13	2	0416-0100-008	LAYSHAFT BEARING 6207	BALL BEARING					
14	2	0416-0100-005	INPUT PINION BEARING 6204	BALL BEARING					
15	1	C540-17-102	FIRST WHEEL SPACER	CARBON STEEL					
16	2	0013-0505-273	STOPSCREW M24x90	HIGH TENSILE STEEL					
17	2	0203-0105-013	M24 LOCKNUT PTFE COATED	CARBON STEEL					
18	2	0806-0100-011	M24 PROTECTION CAP	HYTREL 5526					
19	1	0500-0000-265	QUADRANT 'O' RING	BUNA-N 70					
20	1	0500-0000-268	INDICATOR 'O' RING	BUNA-N 70					
21	3	0240-0000-004	M12 EYENUT	CARBON STEEL					
22	3	0054-0001-119	M12 x 60 LONG STUD	HIGH STENSILE STEEL					
23	9	0003-0004-151	COVER SCREW M12x40	CARBON STEEL					
24	3	0611-0100-173	COVER DOWEL 12 x 40 H&G	STEEL HARD SHINY					
25	1	0601-0000-502	WORMSHAFT KEY 14 x 14 x 40 SQ	CARBON STEEL					

Parts List			Parts List						
ITEM	QTY	PART NUMBER	DESCRIPTION	MATERIAL	ITEM	QTY	PART NUMBER	DESCRIPTION	MATERIAL
26	1	0601-0000-501	FIRST WHEEL KEY	CARBON STEEL					
27	1	0701-0300-036	2nd WHEEL CIRCLIP	CARBON SPRING STEEL					
28	2	0003-0004-290	INDICATOR SCREW M8x75	CARBON STEEL					
29	2	0521-0000-008	NYLTITE SEAL FOR M8	NYLTITE					

REV	ECN	DESCRIPTION	DATE	DWN	APP



ENSURE THAT THE THRUST TAKING FACES OF THE WORMSHAFT BEARINGS ARE AGAINST THE CASE AND COVER THRUST FACES

NOTE:  
MEETS AWWA  
300 FT-LBS  
INPUT TORQUE  
REQUIREMENTS

UNLESS OTHERWISE SPECIFIED ALL DIMENSIONS ARE IN INCHES  <b>TOLERANCES</b> 1 PLACE (X.X) ± 0.30 2 PLACE (X.XX) ± 0.15 3 PLACE (X.XXX) ± 0.05 FRACTIONAL ± 1/64 ANGULAR ± 1°  COMMON CENTER CIRCLES ARE $\odot$ WITHIN 0.010 T.I.R REMOVE ALL BURRS BREAK ALL SHARP EDGES  $\checkmark$ = 125 MICRONS  DO NOT SCALE DRAWING	DRAWN BY: RW  DRAWN DATE: 01/09/09  APPROVED BY: <i>[Signature]</i>  APPROVED DATE: 02/09/09	<b>PRATT</b> <sup>®</sup> Henry Pratt Company 401 S. Highland Ave Aurora, IL 60506  TITLE: PRATT WORMGEAR MODEL WG40-300	C A D  SHEET: 1 REV: 0	
	PROPRIETARY INFORMATION DO NOT COPY OR REPRODUCE WITHOUT WRITTEN PERMISSION			SIZE: B PART # N/A
	FILE LAST MODIFIED:			SCALE None DRAWING GA-11881