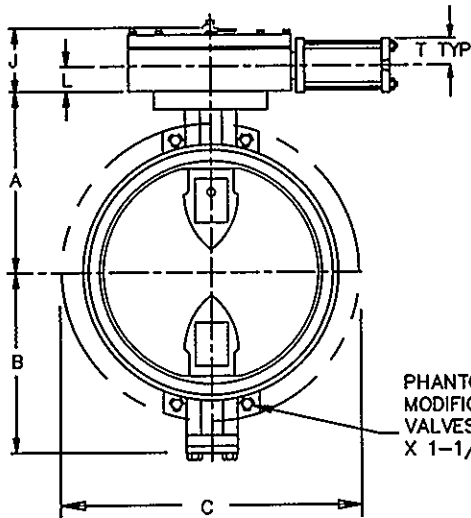


**NOTES:**

1. ALL DIMENSIONS SHOWN IN INCHES.
2. "D" DIMENSION  $\pm 1/16$ " FOR 3" THRU 10" VALVES.  
"D" DIMENSION  $\pm 1/8$ " FOR 12" THRU 20" VALVES.
3. DIMENSION "C" ALLOWS CLEARANCE FOR 125 LB OR 150 LB A.S.A. BOLT LAYOUT.
4. VALVES MANUFACTURED & TESTED IN ACCORDANCE WITH AWWA SPECIFICATION C-504 LATEST REVISION, CLASS 150B.
5. RECOMMENDED FILTRATION FOR CYLINDER SUPPLY MEDIA  
 AIR \_\_\_\_\_ 50 MICRONS (DRY)  
 OIL \_\_\_\_\_ 150 MICRONS  
 WATER \_\_\_\_\_ 150 MICRONS



PHANTOM LINES SHOW TRUNNION MODIFICATIONS TO THE FOLLOWING SIZE VALVES: 20" TAP 1-1/8"-7 UNC-2B X 1-1/2" DEEP 4-PLACES EACH FACE.

VALVE SIZE	A	B	C	D
3	4-3/4	3-1/4	5-1/4	2-1/16
4	5-1/2	3-1/2	6-3/4	2-5/16
6	6-1/2	5-1/8	8-5/8	2-15/16
8	7-3/4	6-1/2	10-7/8	3-1/16
10	9	9-7/8	13-1/4	3-3/16
12	10-1/2	11-3/8	16	3-7/16
14	11-7/8	12-3/4	17-5/8	3-11/16
16	13-1/2	14-3/8	20-1/8	4-3/16
18	14-3/8	15-1/4	21-1/2	4-11/16
20	16	17	23-3/4	5-3/16

ACTUATOR SIZE	CYLINDER SIZE		J	L	M	N	P	Q	R	S	T	U	XX
	BORE	STROKE											
MDT-2S	2-1/2	4	4-11/16	2	2-1/8	2	4-1/2	4-1/4	13-1/16	5-7/16	2	1-3/4	3/8
MDT-2S	4	4	4-11/16	2	2-1/8	2	4-1/2	4-1/4	14-1/8	5-11/16	2-5/8	2-3/8	1/2
MDT-2S	5	4	4-11/16	2	2-1/8	2	4-1/2	4-1/4	14-1/2	5-11/16	3-7/16	2-7/8	1/2
MDT-3S	5	5-5/8	5-5/8	2-7/16	3-1/4	3-5/32	5-5/8	5-3/8	17-15/16	7-13/16	3-7/16	2-7/8	1/2
MDT-3S	8	5-5/8	5-5/8	2-7/16	3-1/4	3-5/32	5-5/8	5-3/8	19-7/8	8-1/4	4-5/8	4-3/8	3/4
MDT-3S	10	5-5/8	5-5/8	2-7/16	3-1/4	3-5/32	5-5/8	5-3/8	21-3/4	8-3/4	5-5/8	5-3/8	3/4
MDT-4S	5	8	6-3/8	2-7/8	3-3/8	4	7-5/16	6-3/4	21-1/4	8-3/4	3-7/16	2-7/8	1/2
MDT-4S	8	8	6-3/8	2-7/8	3-3/8	4	7-5/16	6-3/4	23-3/8	9-3/16	4-5/8	4-3/8	3/4
MDT-4S	10	8	6-3/8	2-7/8	3-3/8	4	7-5/16	6-3/4	25-1/4	9-11/16	5-5/8	5-3/8	3/4
MDY-4S	12	8	6-3/8	2-7/8	3-3/8	4	7-5/16	6-3/4	27-3/8	10-3/4	6-3/8	6-3/8	1
MDT-5	8	11	7-9/16	3-1/2	4-1/2	5-1/2	8-3/4	10	30-7/8	14-5/8	4-3/8	5-5/8	3/4
MDT-5	10	11	7-9/16	3-1/2	4-1/2	5-1/2	8-3/4	10	32-3/4	15-5/8	5-3/8	5-5/8	3/4

OPEN AND CLOSE PORTS ARE REVERSED FOR THESE SIZES.

REV	DATE	BY	DESCRIPTION	APP
<b>PRATT</b>			HENRY PRATT COMPANY AURORA, ILL.	
GENERAL ARRANGEMENT DRAWING WAFFER MKII BUTTERFLY VALVE MDT CYLINDER ACTUATOR				
SCALE	NONE	DATE	06/17/04	
DRAWN BY	BCZ	CHECKED BY	<i>ph</i>	
APPROVED		GA-BORDER		
DRWG. NO.	GA-10779	REV	0	1/3